

能源及重工行业加工解决方案

Manufacturing Solutions for Energy & Heavy Industry



+ 华东大区
Eastern China Region

上海市青浦区华强街路三友星墅 203 弄272号 302 室
Add: Room 302, No. 272, Lane 203, Sanyou Xingshu
Huaqiang Street Road, Qingpu District, Shanghai
Tel: +86-0592-3706375

+ 华南大区
Southern China Region

广东省东莞市长安镇德政中路信义怡翠豪园9栋1单元902
Add: 902, Unit 1, Building 9, Xinyi Yicui Haoyuan
Dezheng Middle Road, Chang'an Town
Dongguan City, Guangdong Province
Tel: +86-0592-7310125

+ 西部大区
West Region

四川省成都市龙泉驿区成都航空职业技术学院
Add: Chengdu Aviation Vocational Technology College
Longquanyi District, Chengdu City, Sichuan Province
Tel: +86-0592-7301561

+ 华北大区
Northern China Region

天津市河东区海河东路与八经路交口以东八经路81号
中海钻石湾信和苑 11号楼11门4204室
Add: Room 4204, Gate 1, Building 11, xinheyuan, Diamond Bay
Hedong District, Tianjin, China
Tel: +86-0529-7306375

+ 东北大区
Northeast Region

辽宁省沈阳市铁西区建设东路158号华润铁西中心写字楼2109
Add: No.2109(china Resources Tiexi Center)No.158 Jianshe East Road
Tiexi District Shenyang City Liaoning Province
Tel: +86-592-7301126

+ 华中大区
Central China Region

武汉经济技术开发区28R地块金色港湾4期26栋2号
Add: No. 2, Building 26, Golden Harbor Phase 4, Block 28R
Wuhan Economic and Technological Development Zone
Tel: +86-0592-7310203

厦门金鹭特种合金有限公司
XIAMEN GOLDEN EGRET SPECIAL ALLOY CO.,LTD.

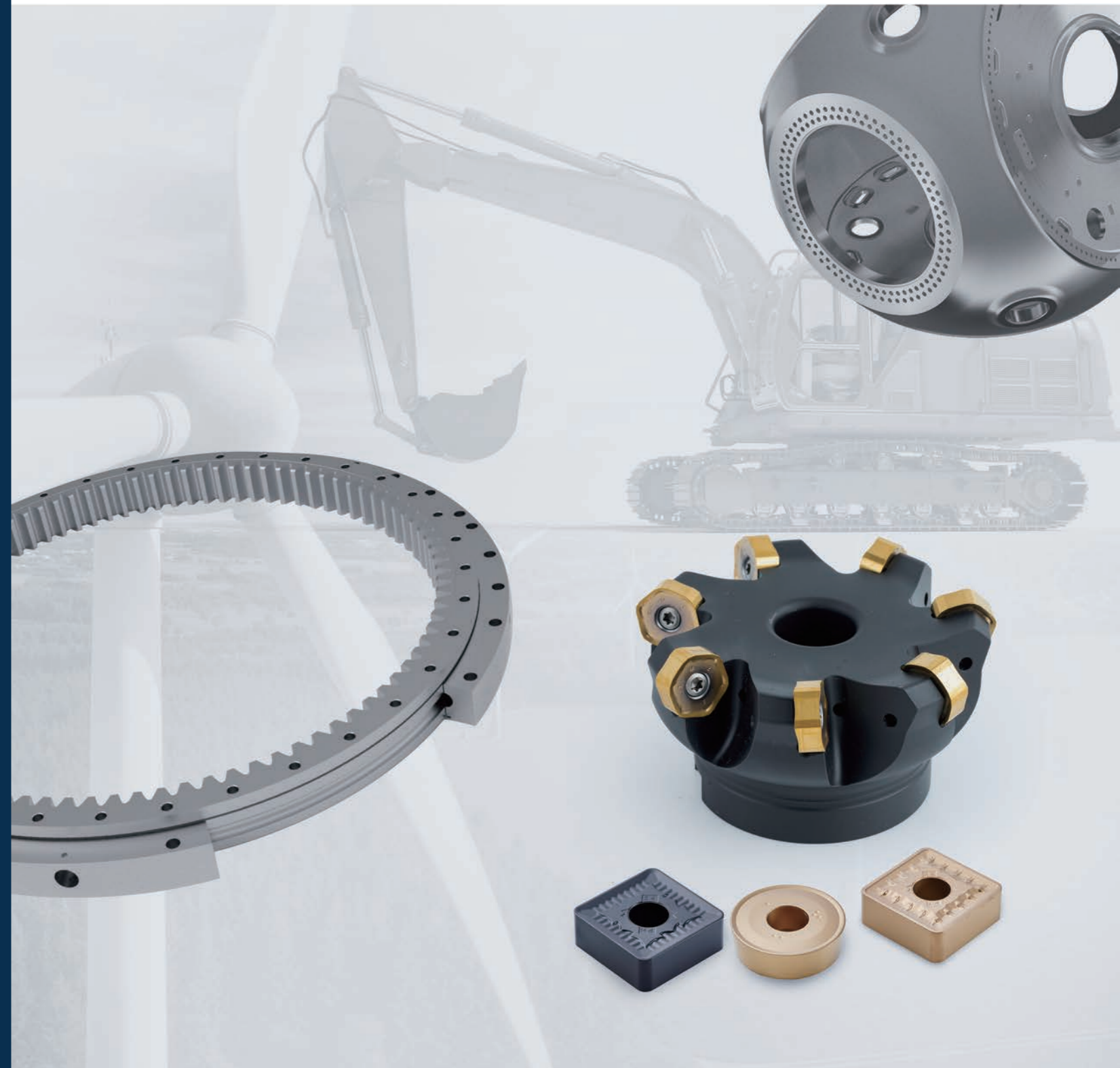
地址: 中国厦门市湖里区兴隆路69号
Add: No.69 Xinglong Road Huli District Xiamen CHINA
工厂地址: 中国厦门同安工业集中区集成路1601-1629号
Factory Add: No.1601-1629 Jicheng Road Industrial
Concentration Area Tongan Xiamen CHINA
Tel: +86-592-7107392 Fax: +86-592-7107322
PC: 361006 Email: gesac@cxct.com

www.gesac.com.cn

400-998-6858



GE202303k



厦门金鹭特种合金有限公司, 成立于 1989 年, 是一家中外合资的国家高新技术企业, 隶属于中国六大稀土集团之一的厦门钨业股份有限公司。公司致力于高品质钨粉末材料、硬质合金、精密切削工具等钨系列产品的研发、生产, 以及行业专业解决方案的提供, 是世界知名的钨粉末、硬质合金及切削工具供应商。

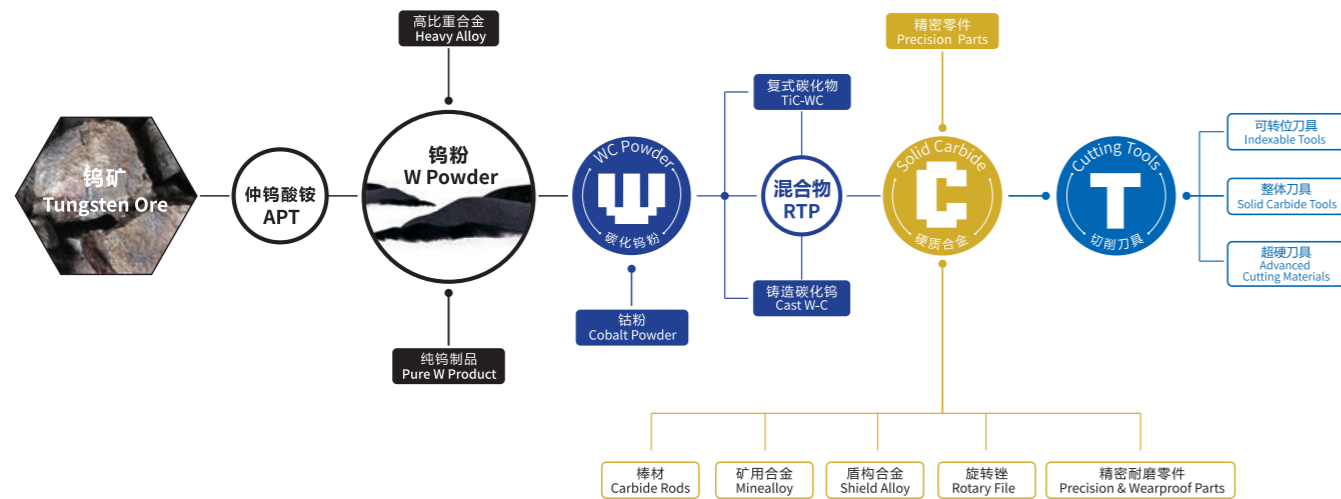
凭借完整钨产业链的产品集成技术研发, 以及务实、创新的管理理念, 厦门金鹭始终保持着强劲的发展势头, 为全球用户提供最高性价比的产品和服务, 为现代工业领域解决高硬度、耐高温、耐磨损问题, 提供了优良的产品和完善的解决方案, 客户遍布全球四十多个工业发达国家和地区, 享誉海内外。

公司拥有国内 4 个生产基地和 1 个国家级企业研发中心, 海外 3 个销售公司和 1 个海外生产基地, 独立承担并完成多项“国家科技支撑计划项目”, “国家科技重大专项”, “国家火炬计划项目”, “国家重点新产品”开发项目及省市重点研究课题, 被评为“战略性新兴产业骨干企业”、“创新型企业”、“先进科技企业”。

Xiamen Golden Egret Special Alloy Co., Ltd. (GESAC), founded in 1989, is a Sino-foreign joint venture with national high-tech, affiliated with XTC, which is one of six major rare earth groups in China. GESAC is committed to research & development, production and professional solutions providing of high-quality tungsten powder materials, cemented carbide, precision cutting tools and other tungsten products. Up to now, GESAC has become world-famous manufacturer and supplier of tungsten powder, cemented carbide and precision cutting tools products.

With the Integrated Product Development of complete tungsten industry chain, as well as a pragmatic and innovative management concept, GESAC has always maintained a strong momentum of development, providing the cost effective tungsten powder products and services for global users, offering the excellent products and perfect solutions for solving high hardness, high temperature resistance and wear resistance topics. Our brand "Golden Egret" has become one of the leading brand in the market, enjoying famous reputation in more than 40 countries and regions.

GESAC owns four production headquarters and one national level research center domestically, and three sales branches and one production base overseas. We undertook and completed several development programs independently, including the "National Science and Technology Support Programs", the "National Torch Program Projects", and the "National Key Projects" and so on. GESAC was awarded as "Key Enterprise for Strategic Emerging Industry", "Innovative Enterprise" and "Enterprise with Advanced Technology".

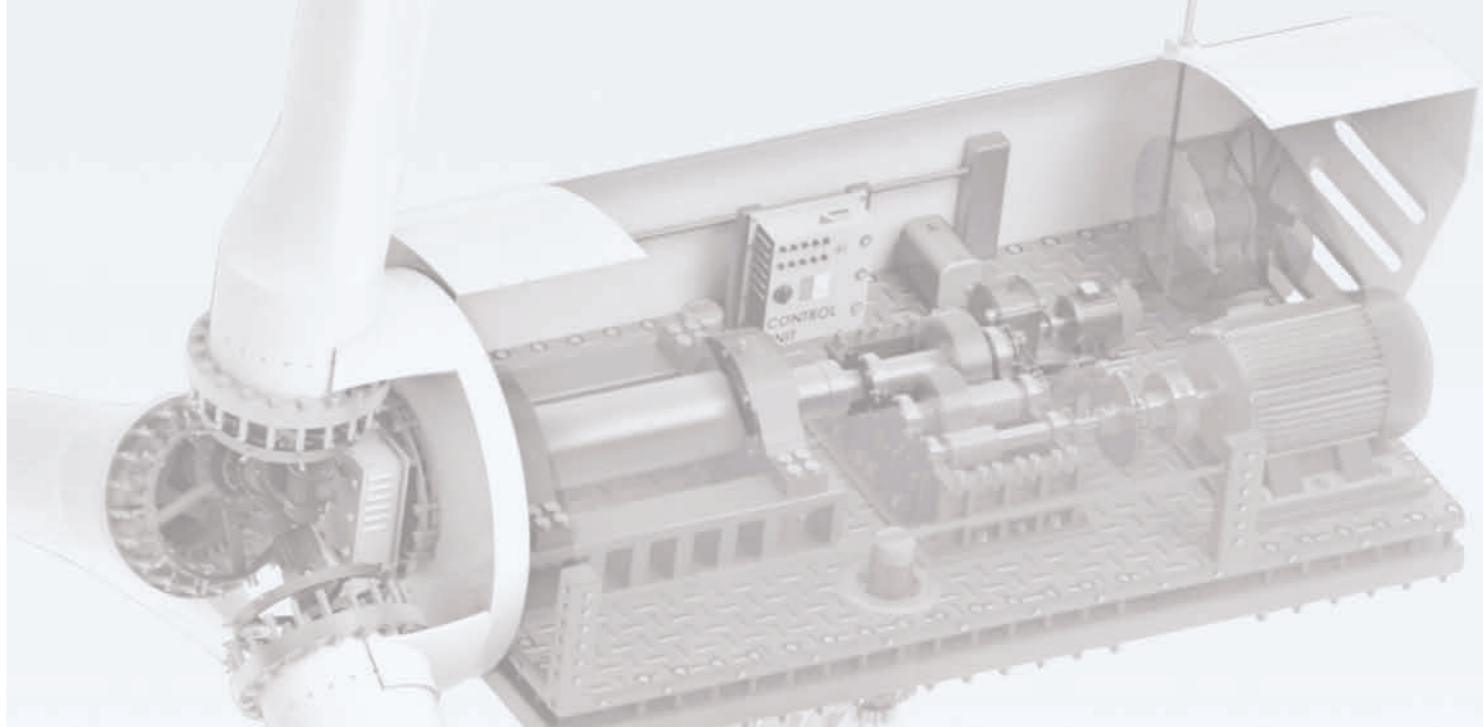


风电行业加工解决方案 Manufacturing Solutions for Wind Power

工程机械加工解决方案 Manufacturing Solutions for Construction Machinery

变浆系统 Yaw system	04-07	工作装置 Works Device	22-23
轮毂 Hub		动臂&斗杆 Boom & Arm	
叶片 Vane		液压系统 Hydraulic System	24-25
传动系统 Transmission System	08-11	液压油缸缸筒 Hydraulic Cylinder	
主轴 Principal Axis		回转机构 Swing Mechanism	26-29
轴承 Bearing		转台 Rotary Table	
变速系统 Power Train System	12-13	回转支承 Slewing Bearing	
扭力臂 Torque Link		行走装置 Walks Device	30-35
固定系统 Fixation System	14-17	链轨节 Chain Rail Joint	
法兰 Flange		支重轮 Track Roller	
螺杆、螺套 Screw arbor, Unified Thread Series		支重轮端盖 Track Roller End Cover	
制动系统 Braking System	18-19		
制动钳 Caliper			

典型加工案例 Cutting Case



风电行业加工解决方案

Manufacturing Solutions for Wind Power





连接面粗铣加工
Rough Milling of
Connecting Surface

• HNGU09+MFC145

高经济多功能面铣

Multi-Function Face Milling with High Cost Effective

双面12刃面铣刀, 经济性高; 设计有多个主偏角, 满足不同工况需求

Double sided 12 edge milling cutter, high economy. The design has multiple main deflection angles to meet the requirements of different working conditions



连接面精铣加工
Finishing Milling of
Connecting Surface

• ANKX16+MEC190

负型曲线刃方肩铣

Square Shoulder Milling With Negative Curve Edge

连接面侧壁粗铣加工
Rough Milling of Connecting
Surface Side Walls

• ANKX16+MHC190

高效率玉米铣

High Efficiency Helical Milling



连接面钻孔加工
Drill of Connecting Surface

• QPMG+GHDS

高效率浅孔钻

High Efficiency Indexable Hole Drilling

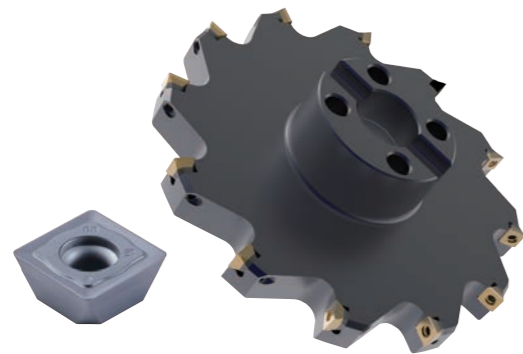


连接面反铣加工
Back Milling of
Connecting Surface

• SDMT12-EGM+订制刀盘

多功能铣削刀具

Multi-Function Milling Tool

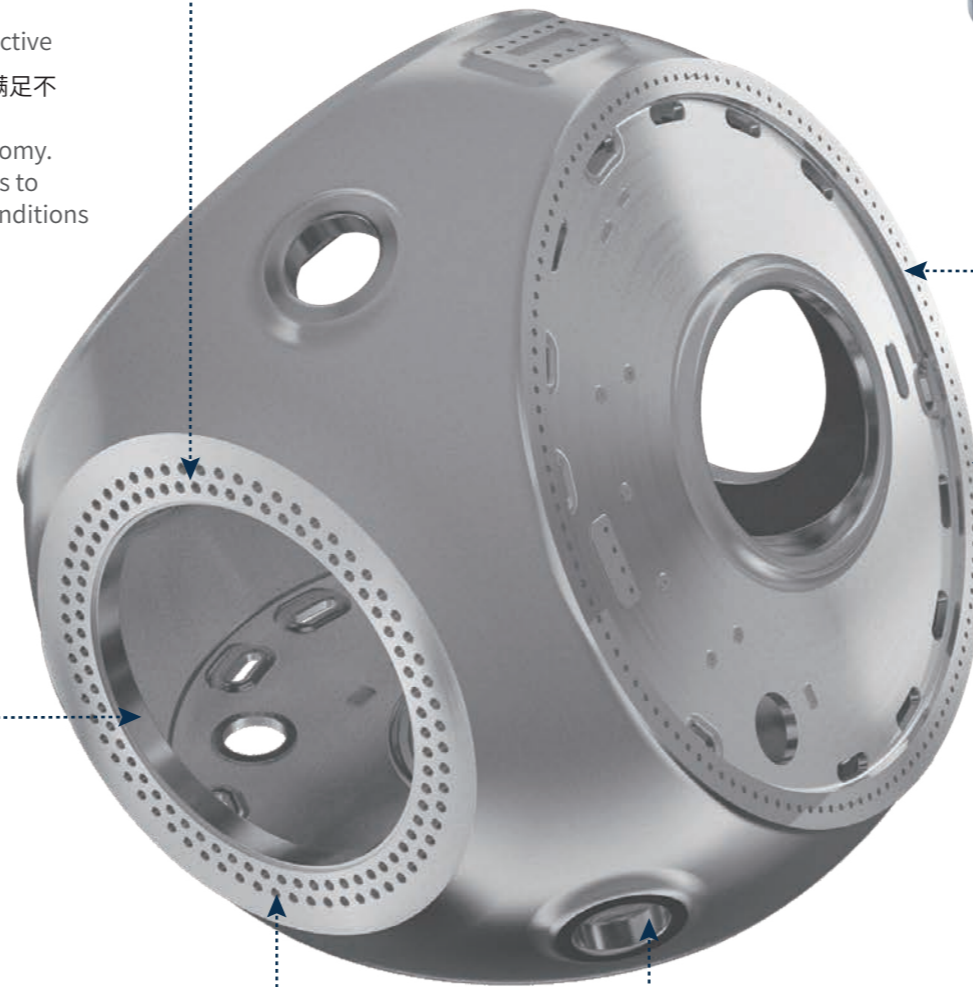


电机孔螺旋插补铣加工
Machining Screw Insert
and Milling Motor

• RCET20+MPC100

高精度仿形铣

High Precision Profile Milling



连接面钻孔加工
Drill of Connecting Surface

- QPMG+GHDS
高效率浅孔钻
High Efficiency Indexable Hole Drilling



连接面铣削加工
Milling of Connecting Surface

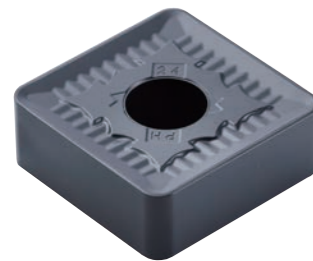
- SNE(M)U12+MFB245
双面通用面铣
General Double Side Face Milling Tool





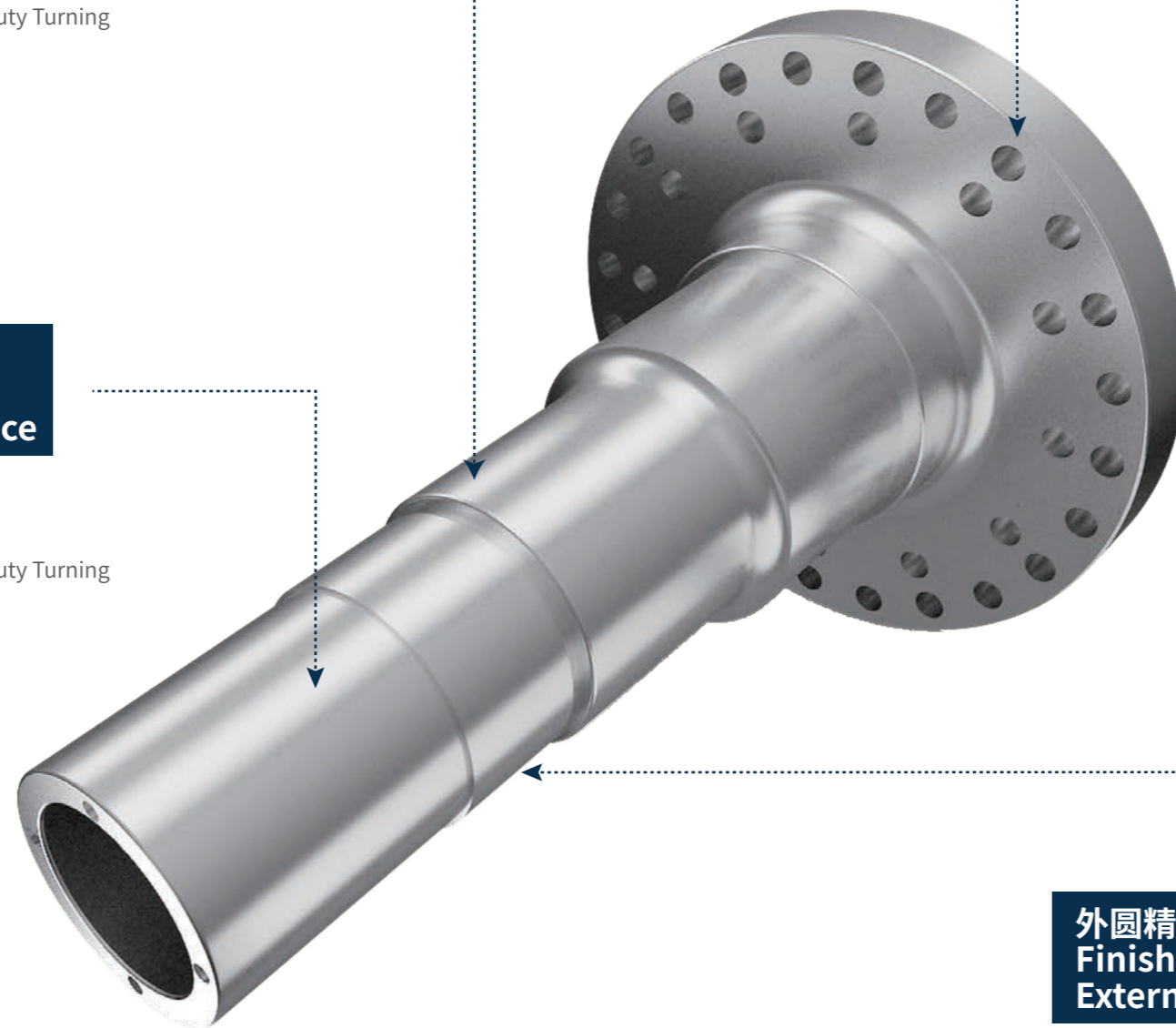
**外圆去黑皮
Rough Turning
the Oxide Scale**

- SNMM25+PY1
负型单面重载车削
Negative Single Side Heavy-duty Turning



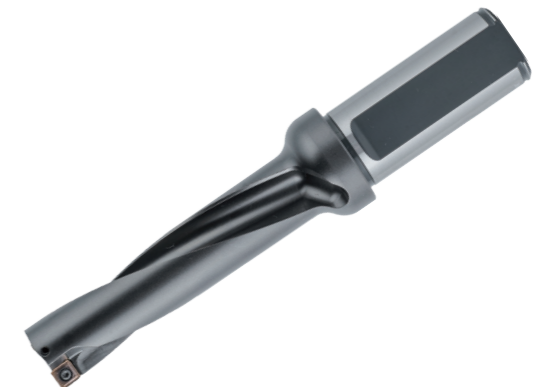
**外圆粗车加工
Rough Turning
the External Surface**

- SNMM25+PH
负型单面重载车削
Negative Single Side Heavy-duty Turning



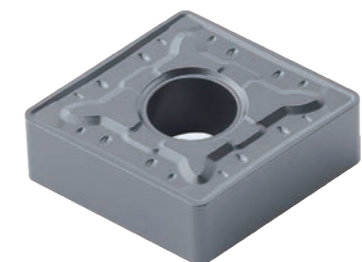
**法兰盘连接孔加工
Drilling of Flange
Connection Hole**

- QPMG+GHDS
高效率浅孔钻
High Efficiency Indexable Hole Drilling



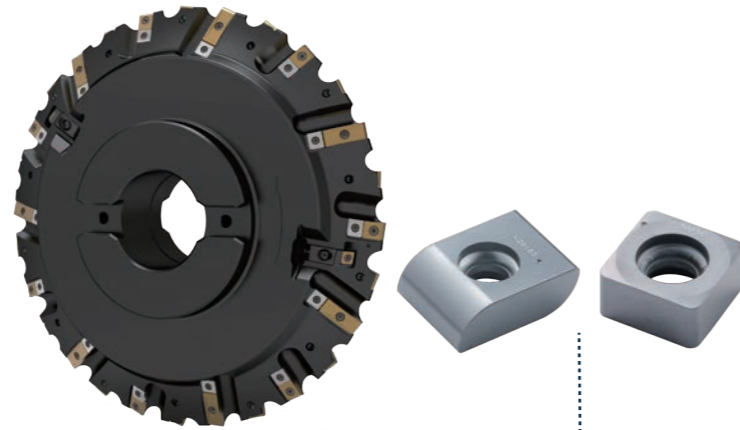
**外圆精车加工
Finishing the
External Surface**

- CNMG19+QM
双面负型车削
Double Side Negative Turning



内齿圈齿轮铣削加工
Milling of Internal Ring Gear

- LNE系列齿轮铣刀片
高精度非标齿轮铣刀
High-precision Gear Milling Insert



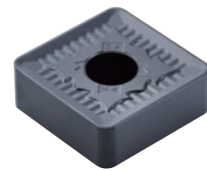
孔加工
Hole Making

- D938深孔钻
深孔内冷麻花钻
Deep-hole Inner Cooling Twist Drill



外圆去黑皮
Rough Turning the Oxide Scale

- SNMM25+PH
负型单面重载车削
Negative Single Side Heavy-duty Turning



外圆粗车加工
Rough Turning the External Surface

- CNMG19+PR
负型粗车
Negative Rough Turning



外圆精车加工
Finishing the External Surface

- TNMG16+QF
高精度车削刀片
High-precision Turning Inserts



密封槽加工
Turning the Sealing Groove

- GNGP系列
高精度槽刀
High Accuracy Grooving Insert



球沟道粗加工
Rough Machining of Ball Channel

- RCMX16+RR
粗车刀片
Rough Turning Insert



球沟道硬车精加工
Turning Finish of Ball Channel

- RCGN
高耐磨性CBN刀具
High Wear Resistance CBN Tool





安装孔镗削加工
Boring of Mounting Hole

- RB/FB
高精度镗削系统
Precision Boring Series



主轴过孔螺旋插补铣加工
Interpolation Milling of Spindle Through Hole Spiral

- RCET20+MPC100
高精度仿形铣
High Precision Profile Milling



定位面粗铣加工
Rough Milling of Positioning Surface

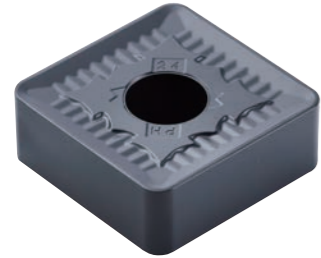
- HNGU09+MFC145
高经济多功能面铣
Multi-Function Face Milling with High Cost Effective



安装孔钻孔加工
Drilling of Installation Hole

- QPMG+GHDS
高效率浅孔钻
High Efficiency Indexable Hole Drilling





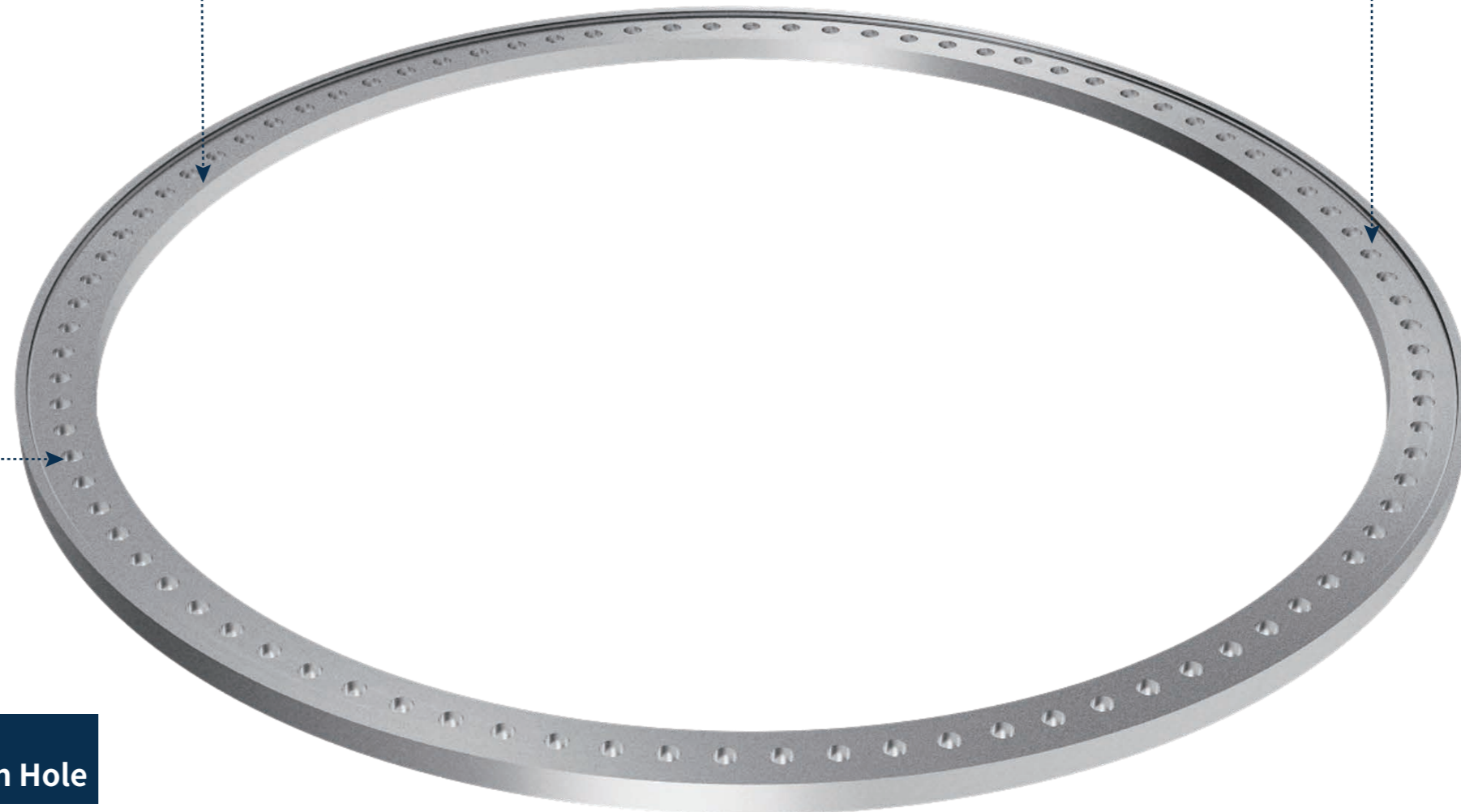
外圆粗车加工
Rough Turning
the External Surface

- SNMM25+PH
负型单面重载车削
Negative Single Side Heavy-duty Turning



外圆半精车削加工
Semi Finish Turning of Outer Circle

- CNMM19+BH
负型单面粗车削
Negative Single Rough Turning



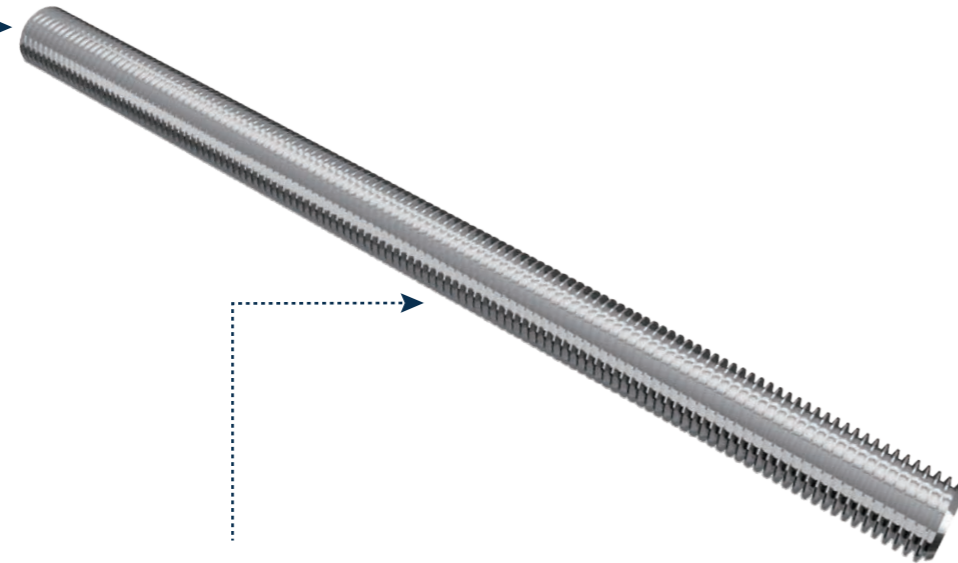
安装孔钻孔加工
Drilling of Installation Hole

- QPMG+GHDS
高效率浅孔钻
High Efficiency Indexable Hole Drilling



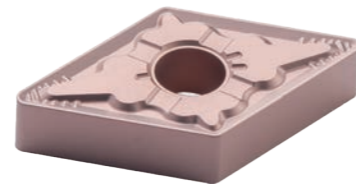
**端面车削加工
Face Turning**

- **CNMG+LR**
负型LR系列+GPT6100系列
Negative insert LR Series +GPT6100 Grade Series
GE.FORCE全新钢材高效车削刀具
Brand-new High-efficiency Turning Tool for Steel



**外圆粗/精车加工
Finish/ Rough-Finish
Turning of External Surface**

- **DNMG+QR**
负型QR系列+ GPT6100系列
Positive Insert QR Series +GPT6100 Grade Series
GE.FORCE全新钢材高效车削刀具
Brand-new High-efficiency Turning Tool for Steel



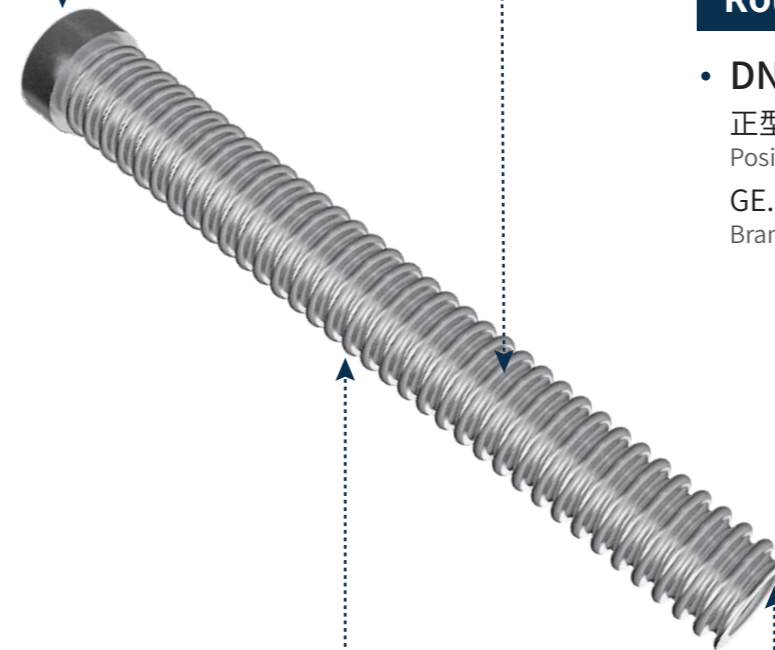
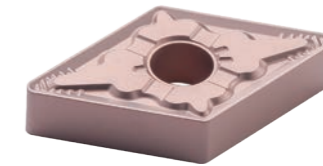
**内圆车削加工
Internal Turning**

- **CCMT+MM**
正型MM系列+ GPT6100系列
Positive Insert MM Series +GPT6100 Grade Series
GE.FORCE全新钢材高效车削刀具
Brand-new High-efficiency Turning Tool for Steel



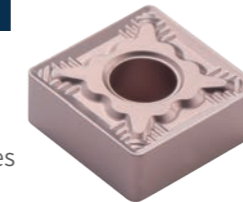
**外圆仿型粗车加工
Rough Turning of Cylindrical Profile**

- **DNMG+QR**
正型QR系列+ GPT6100系列
Positive Insert QR Series +GPT6100 Grade Series
GE.FORCE全新钢材高效车削刀具
Brand-new High-efficiency Turning Tool for Steel



**外圆粗车加工
Cylindrical Rough Turning**

- **CNMG+LR**
负型LR系列+ GPT6100系列
Negative insert LR Series +GPT6100 Grade Series
GE.FORCE全新钢材高效车削刀具
Brand-new High-efficiency Turning Tool for Steel



**内孔螺纹加工
Internal Hole
Thread Processing**

- **22IRN60-TC**
螺纹车削: 通用60°
Thread Turning: Partial Profile 60°





端面粗铣加工
Rough Face Milling

- SDMT+MKB113
单面4刃快进给铣刀
Single Side 4-edge Fast Feed Milling Cutter

端面精铣加工
Finish Face Milling

- SNE(M)U12+MFB245
双面通用面铣
General Double Side Face Milling Tool



端面安装孔钻孔加工
Drilling of End Face Mounting Hole

- QPMG+GHDS
高效率浅孔钻
High Efficiency Indexable Hole Drilling



侧壁钻孔加工
Sidewall Drilling

- D918S
高性能钢用麻花钻
High Efficiency Drilling



侧壁凹面铣削加工
Side Wall Concave Milling

- PP300-SPEED
高效加工摆线铣刀
High Efficiency Cycloold Milling Tool
实现大切深、小切宽的高效稳定加工, 兼具高抗崩性和高耐磨性
It can achieve high efficiency and stable processing of large cutting depth and small cutting width, and has high collapse resistance and high wear resistance



侧壁粗铣加工
Rough Milling of Side Wall

- LNMX+MKF115
双面4刃快进给铣刀
Double Side 4-edge Fast Feed Milling Cutter



侧壁深孔钻孔加工
Side Wall Deep Hole Drilling

- D938
高稳定性深孔钻
High Stability Deep Hole Drill



安装孔镗削加工
Boring of Mounting Hole

- RB/FB
高精度镗削系统
Precision Boring Series



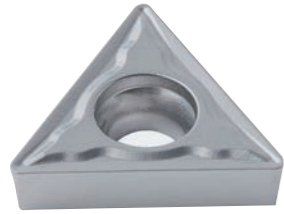
工程机械加工解决方案

Manufacturing Solutions for Construction Machinery



精镗安装孔
Finish Boring of Mounting Hole

- TCMT11-GP
通用正型轻切削
Positive Turning Insert for light cutting of General Materials



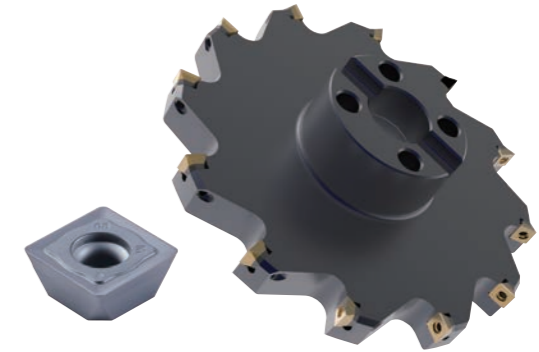
粗镗安装孔
Rough Boring of Mounting Hole

- CCMT12-KM
通用正型半精-粗加工
Positive Turning Insert for Semi-finishing and roughing of Steel and Cast Iron



反铣内端面
Back Milling of Inner Face

- SDMT12-EGM+订制刀盘
多功能铣削刀具
Multi-Function Milling Tool



端面铣削
Face Milling

- HNGU09-GM+MFC145
高经济多功能面铣
Multi-Function Face Milling with High Cost Effective



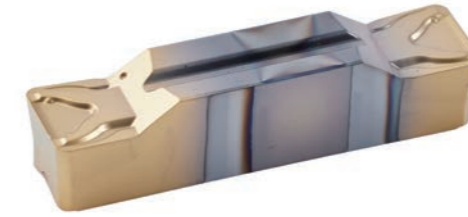
**内圆粗刮
Rough Skiving of Inner Circle**

- TPMT19-BD
粗刮刀片
Rough Skiving Insert



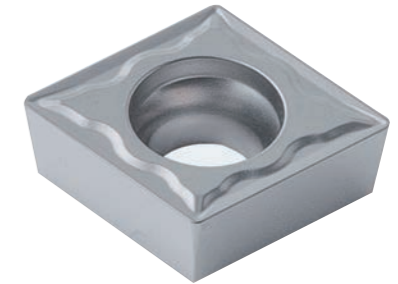
**切槽加工
Grooving**

- GTD20-FT
切槽切断系列刀具
Grooving and Parting Inserts



**内圆车削加工
Internal Turning**

- CCMT12-GP
钢材高效车削刀具
High-efficiency Turning Tool for Steel



**内圆精刮
Finish Skiving of Inner Circle**

- LNEF08-EPM
精刮刀片
Finish Skiving Insert



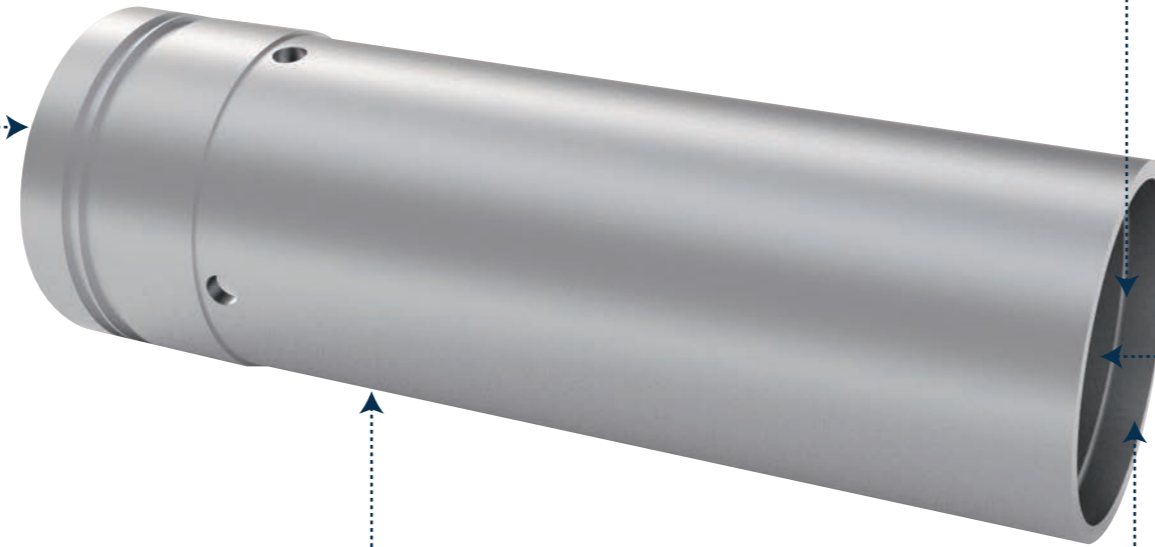
**外圆车削
Cylindrical Turning**

- CNMG12-PM
钢材高效车削刀具
High-efficiency Turning Tool for Steel



**螺纹加工
Machining of Thread**

- 16IR-TC
螺纹车削ISO60°
Thread Turning ISO 60°



**反铣内端面
Back Milling of Inner Face**

- LNMT15-GH
立装八刃平面铣刀片
Vertically Eight Edge Milling Insert



**端面孔加工
Drilling of End Face Hole**

- QPMG+GHDS
高效率浅孔钻
High Efficiency Indexable Hole Drilling



**端面粗铣
Rough Face Milling**

- HNGU13-GH+MFC145
高经济多功能面铣
Multi-Function Face Milling with High Cost Effective



**端面精铣
Finish Face Milling**

- SNEU12-GM+MFB288
双面通用面铣
General Double Side Face Milling Tool



安装孔加工
Drilling of Mounting Hole

- HD5-Z
非标钻头
Non-standard Drill



钻堵塞孔和紧定螺纹孔
Drilling of Plug Hole and Tighten Thread Hole

- QPMG+GHDS
高效率浅孔钻
High Efficiency Indexable Hole Drilling



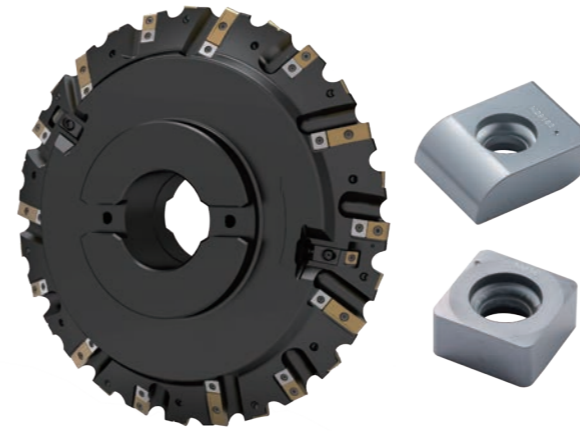
球沟道粗车
Rough Turning of Ball Channel

- RCMX160600-RR
粗车刀片
Rough Turning Insert



齿轮加工
Gear Machining

- 非标铣轮刀具
高精度非标齿轮铣刀
High-precision Gear Milling Tool



粗车
Rough Turning

- RCMX25-RR1
粗车刀片
Rough Turning Insert



精车
Finish Turning

- CNMG12-PM
钢材高效车削刀具
High-efficiency Turning Tool for Steel



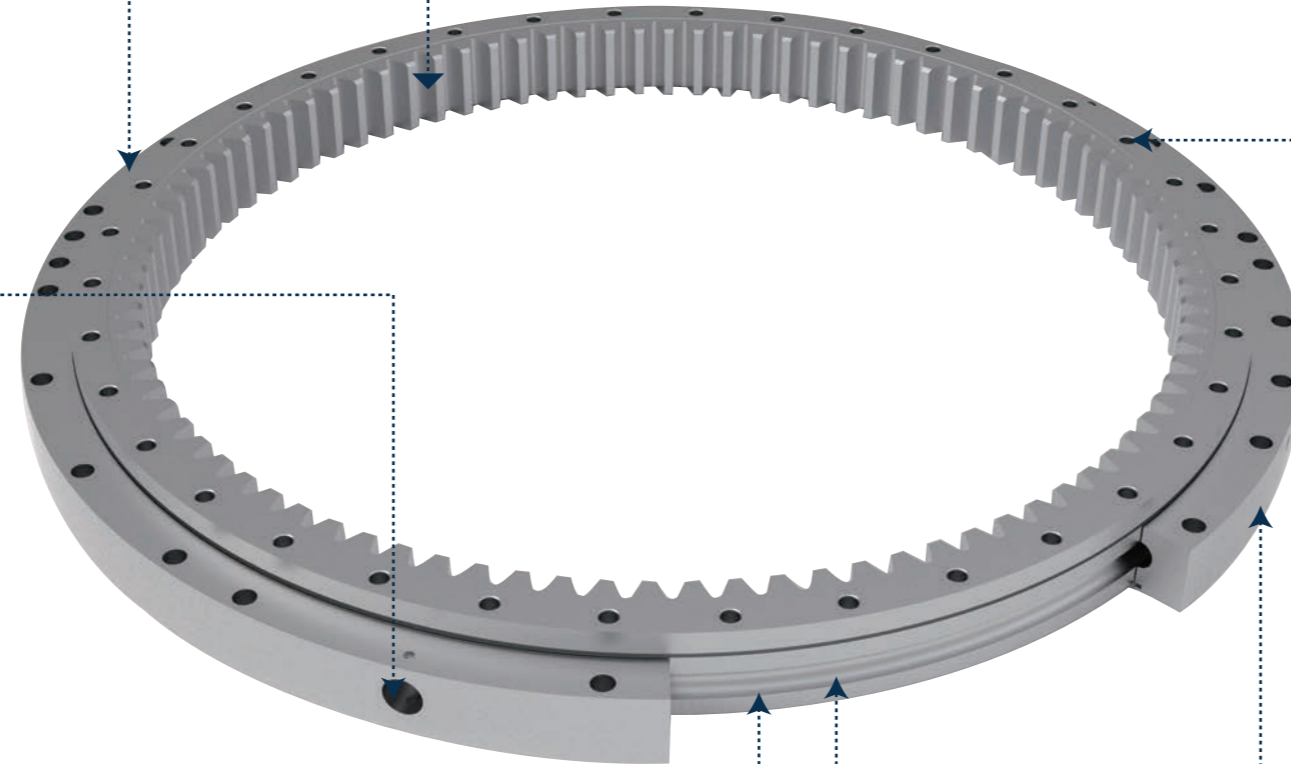
球沟道精车
Finish Turning of Ball Channel

- RCGN12
高耐磨性CBN刀具
High Wear Resistance CBN Tool



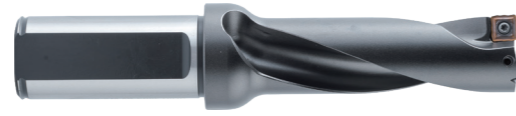
油孔加工
Oil-hole Machining

- D938深孔钻
深孔内冷麻花钻
Deep-hole Inner Cooling Twist Drill



**侧面孔加工
Drilling of Side Face Hole**

- QPMG+GHDS
高效率浅孔钻
High Efficiency Indexable Hole Drilling



**端面铣削
Face Milling**

- HNGU09-GM+MFC145
高经济多功能面铣
Multi-Function Face Milling with High Cost Effective



**台阶面镗孔
Spot Facing on Step Surface**

- TCMT16-MM
通用正型轻切削
Positive Turning Insert for light cutting of General Materials



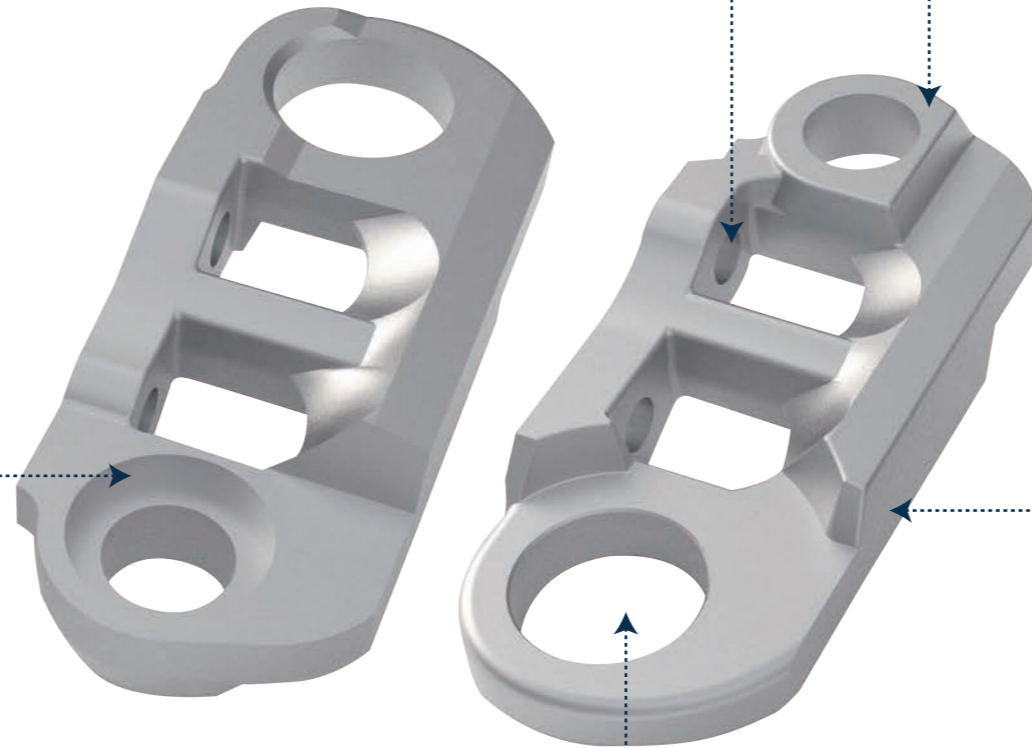
**侧面铣削
Side Face Milling**

- SNMU12-GM+MFB245
双面通用面铣
General Double Side Face Milling Tool



**内孔加工
Boring of Internal Hole**

- SCMT09-GP
通用正型轻切削
Positive Turning Insert for light cutting of General Materials



孔加工
Drilling

- D938系列
普通钢加工硬质合金麻花钻
Solid Carbide Twist Drill for Steel



孔加工
Drilling

- D938深孔钻
深孔内冷麻花钻
Deep-hole Inner Cooling Twist Drill



端面及外圆粗车
Rough Turning of Outer Circle and End Face

- CNMG12-PM
钢材高效车削刀具
High-efficiency Turning Tool for Steel



内孔车削
Turning of Internal Hole

- CNMG12-QM
钢材高效车削刀具
High-efficiency Turning Tool for Steel



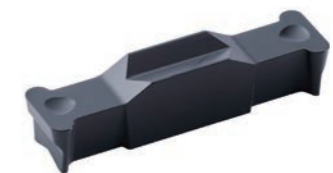
端面及外圆精车
Finish Turning of Outer Circle and End Face

- CNMG12-QF
钢材高效车削刀具
High-efficiency Turning Tool for Steel

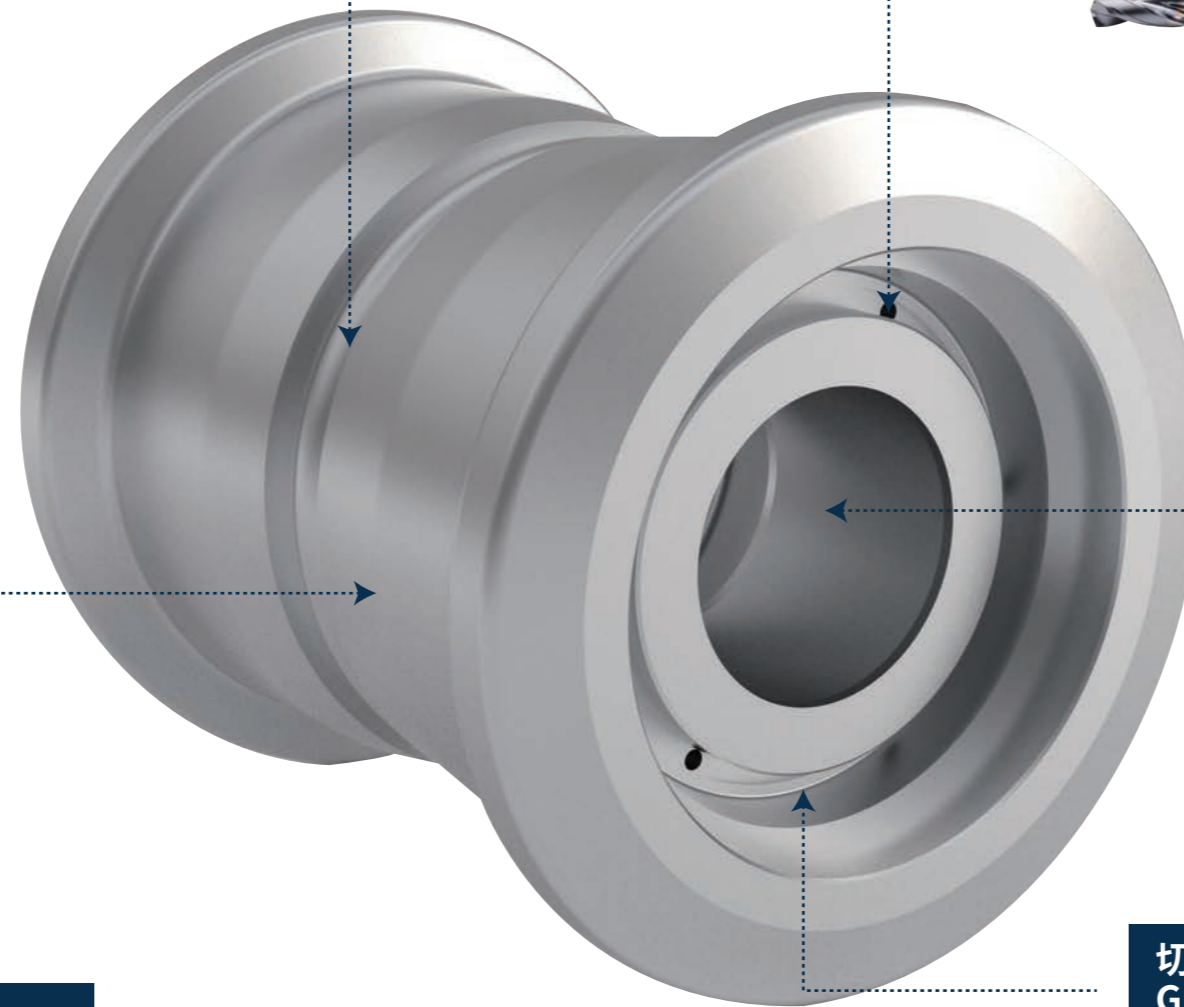


切槽加工
Grooving

- GZD6010-MR
非标切槽刀具
Non-standard Grooving Cutter

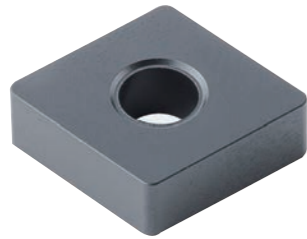


- GTD60-FT
切槽切断系列刀具
Grooving and Parting Inserts



**粗车
Rough Turning**

- **CNMA12**
平板铸铁车削刀具
Flat-top for Cast Iron Used



**精车
Finish Turning**

- **CNMG12-MK**
铸铁高效车削刀具
High-efficiency Turning Tool for Cast Iron



**侧面铣削
Side Face Milling**

- **SNMU12-GM+MFB288**
双面通用面铣
General Double Side Face Milling Tool



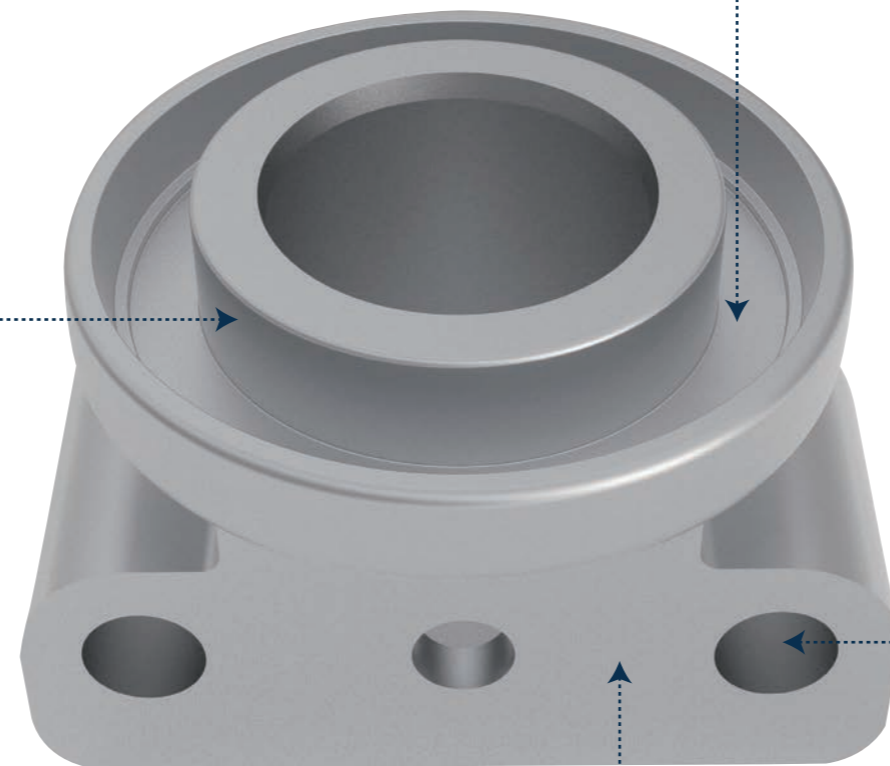
**切槽加工
Grooving**

- **GTD60-FT**
切槽切断系列刀具
Grooving and Parting Inserts



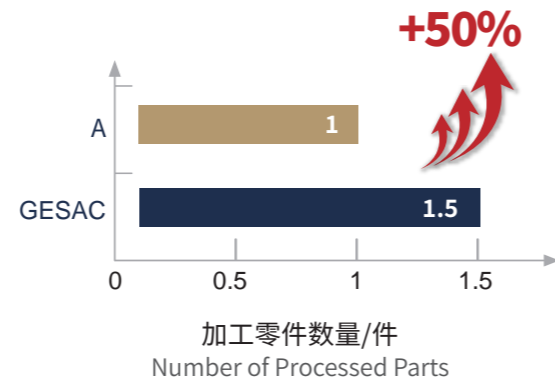
**孔加工
Drilling**

- **QPMG+GHDS**
高效率浅孔钻
High Efficiency Indexable Hole Drilling



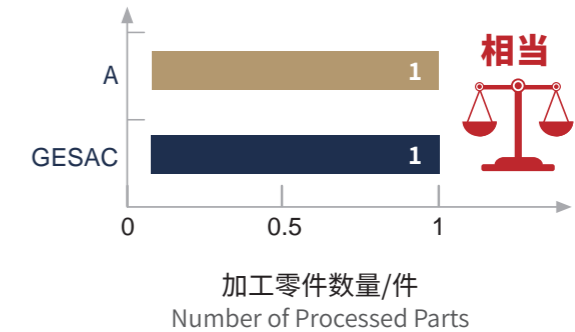
变桨系统-轮毂
Pitch system-Hub

加工方式 Processing Methods	平面铣削-粗加工 Face Milling-Roughing
刀片型号 Indexable Inserts	HNGU0905ANEN-GH-GM2140
刀体 Cutter Holder	MFC145160R12C40HN09HA
加工材料 Workpiece	QT600
切削速度 Cutting Speed	Vc=251m/min (n=500r/min)
进给速度 Feed	fz=0.75mm/rev (F=4500mm/min)
切深量 Cutting Depth	ap1=3mm, ap2=2mm
加工设备 Equipment	卧式铣床 Horizontal milling machine
冷却方式 Cooling Method	乳化液, 外冷 emulsion, external cooling
切削效果 Processing Result	寿命超过客户要求 The service life exceeds the customer's requirements



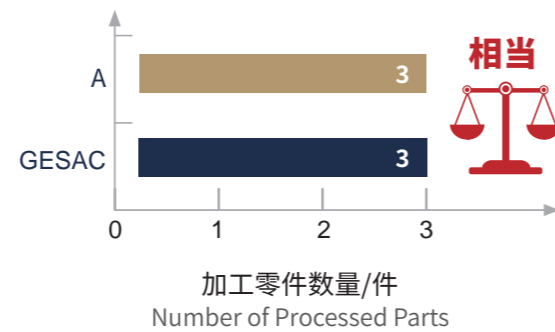
传动系统-主轴
Drive system-Principal Axis

加工方式 Processing Methods	扒皮粗车 Rough Turning the Oxide Scale
刀片型号 Indexable Inserts	SNMM250924-PY1-GP1120
刀体 Cutter Holder	SBNR4040S2509
加工材料 Workpiece	42CrMo4/30CrNiMo8
切削速度 Cutting Speed	Vc=62-85m/min
进给速度 Feed	fn=0.8-1mm/rev
切深量 Cutting Depth	Ap=15-20mm
加工设备 Equipment	卧式车床 Horizontal lathe
冷却方式 Cooling Method	干切 Dry cutting
切削效果 Processing Result	断屑性能、寿命满足客户要求 The performance of chip-breaking and service life can meet the customer's requirements



变桨系统-轮毂
Pitch system-Hub

加工方式 Processing Methods	背铣 Back Milling
刀片型号 Indexable Inserts	PSDMT120508-EGM-GM2140
刀体 Cutter Holder	非标定制刀体 Non-standard cutter holder
加工材料 Workpiece	QT600
切削速度 Cutting Speed	Vc=180m/min
进给速度 Feed	fz=0.2mm/rev
切深量 Cutting Depth	ap=1-1.5mm
加工设备 Equipment	卧式铣床 Horizontal milling machine
冷却方式 Cooling Method	干切 Dry cutting
切削效果 Processing Result	寿命满足客户要求 The service life can meet the customer's requirements



固定系统-法兰
Fixed system-Flange

加工方式 Processing Methods	外圆车削+内圆车削+端面车削 Turning of the outer circle, internal hole and end face
刀片型号 Indexable Inserts	CNMM190624-BH-GP1130
刀体 Cutter Holder	客户提供 Turning toolholders of the customer
加工材料 Workpiece	Q355
切削速度 Cutting Speed	粗: Vc=64-106m/min 精: Vc=140m/min
进给速度 Feed	粗: fn=1mm 精: fn=0.5mm
切深量 Cutting Depth	粗: Ap=10-13 精: Ap=3.5-4.5mm
加工设备 Equipment	立式车床 Vertical lathe
冷却方式 Cooling Method	乳化液, 外冷 emulsion, external cooling
切削效果 Processing Result	断屑性能、寿命满足客户要求 The performance of chip-breaking and service life can meet the customer's requirements

